

Features

- Low forward voltage drop
- Soft recovery
- Hermetic metal cases with ceramic insulators

Typical Applications

- Inverters and choppers
- Motor control
- Snubber and free-wheeling diodes

$I_{F(AV)}$ **940A**
 V_{RRM} **4000~5000V**
 t_{rr} **9.0μs**



SYMBOL	CHARACTERISTIC	TEST CONDITIONS		$T_j(^{\circ}C)$	VALUE			UNIT
					Min	Type	Max	
$I_{F(AV)}$	Mean forward current	180° half sine wave 50Hz Double side cooled,	$T_c=70^{\circ}C$	125			940	A
V_{RRM}	Repetitive peak reverse voltage	tp=10ms		125	4000		5000	V
I_{RRM}	Repetitive peak current	at V_{RRM}		125			100	mA
I_{FSM}	Surge forward current	10ms half sine wave		125			14	kA
I^2t	I^2t for fusing coordination	$V_R=0.6V_{RRM}$					980	A^2s*10^3
V_{FO}	Threshold voltage			125			1.73	V
r_F	Forward slope resistance						0.51	mΩ
V_{FM}	Peak forward voltage	$I_{FM}=1500A, F=24kN$		125			2.50	V
I_{rm}	Reverse recovery current	$I_{FM}=1000A, tp=2000\mu s,$ $-di/dt=60A/\mu s, V_R=50V$		125		330		A
t_{rr}	Reverse recovery time					9		μs
Q_{rr}	Recovery charge					1500		μC
$R_{th(j-c)}$	Thermal resistance Junction to case	DC double side cooled Clamping force 24kN					0.020	$^{\circ}C/W$
$R_{th(c-h)}$	Thermal resistance case to heat sink						0.005	
F_m	Mounting force				19		26	kN
T_{stg}	Stored temperature				-40		160	$^{\circ}C$
W_t	Weight					440		g
Outline	P42							

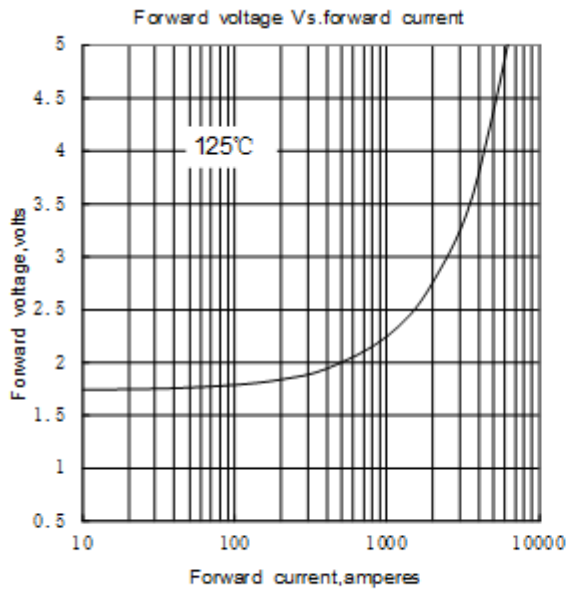


Fig.1

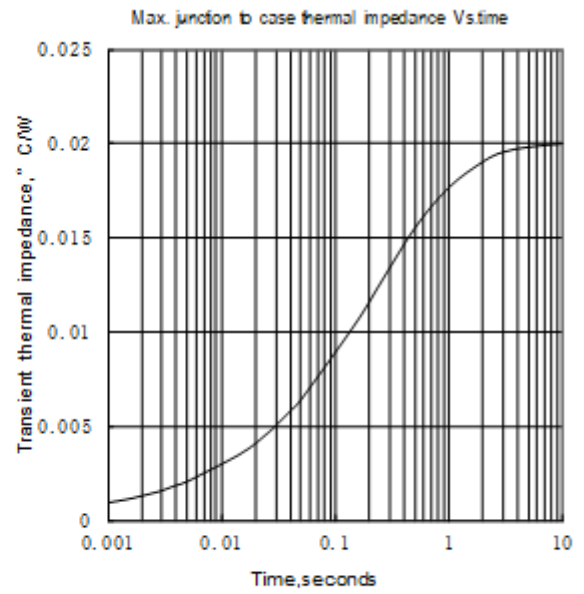


Fig.2

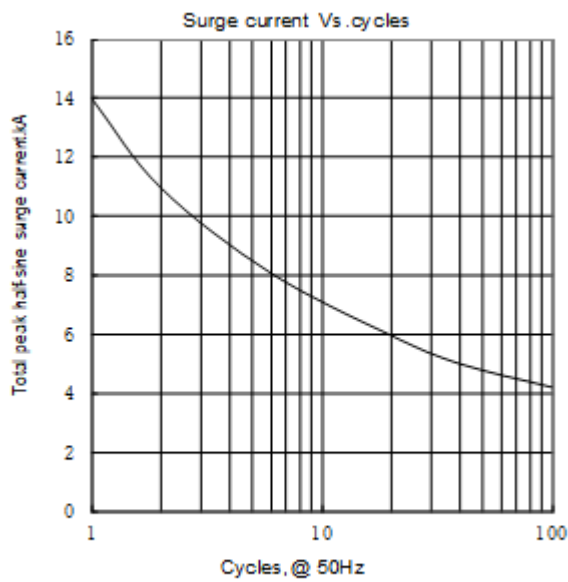
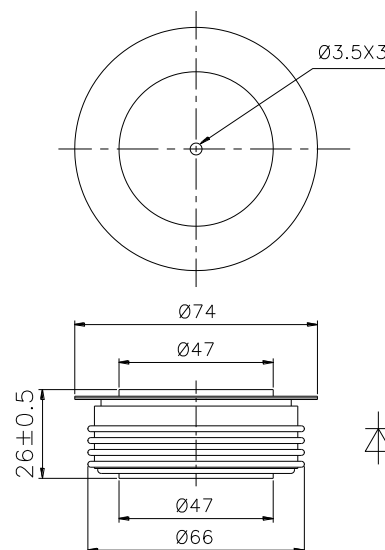


Fig.3



Nlps reserves the right to change specifications without notice.