

Features

- Low switching losses
- Double-side cooling
- Hermetically Cold-welded

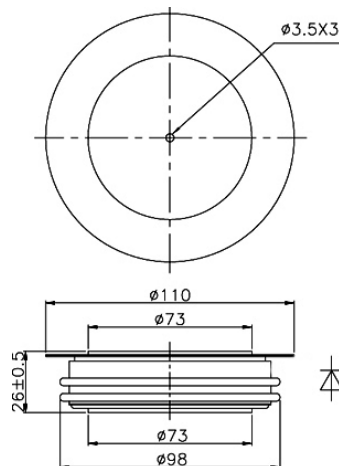
Typical Applications

- High power convertor
- Motor drive equipment
- Flexible AC transmission system

I_{F(AV)} 800 A
V_{RRM} 6000 ~ 6500V
trr 20 μs

SYMBOL	CHARACTERISTIC	TEST CONDITIONS		T _j (°C)	VALUE			UNIT
					Min	Type	Max	
I _{F(AV)}	Mean forward current	180° half sine wave 50Hz Double side cooled	T _c =70°C	125			800	A
V _{RRM}	Repetitive peak reverse voltage	tp=10ms		125	6000		6500	V
I _{RRM}	Repetitive peak current	at V _{RRM}		125			300	mA
I _{FSM}	Surge forward current	10ms half sine wave		125			18	kA
I ² t	I ² t for fusing coordination	V _R =0					1620	10 ³ A ² s
V _{FO}	Threshold voltage			125			1.90	V
r _F	Forward slope resistance						1.10	mΩ
V _{FM}	Peak forward voltage	I _{FM} =1800A, F=40kHz		25			4.80	V
I _m	Reverse recovery current	I _{TM} =2000A, tp=4000μs, di/dt=-60A/μs, V _R =100V		125		900		A
t _{rr}	Reverse recovery time					20		μs
Q _{rr}	Recovery charge					5000		μC
R _{th(j-c)}	Thermal resistance Junction to case	D.C. double side cooled Clamping force 40kN					0.010	°C/W
R _{th(c-h)}	Thermal resistance case to heatsink						0.003	
F _m	Mounting force				35		47	kN
T _{vj}	Junction temperature				-40		125	°C
T _{slg}	Stored temperature				-40		140	°C
W _t	Weight					1100		g
Outline	P46a							

Outline:



Nlps reserves the right to change specifications without notice.