

Features

- Low forward voltage drop
- Soft recovery
- Hermetic metal cases with ceramic insulators

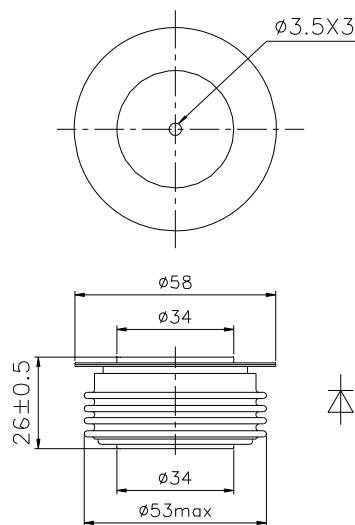
I_{F(AV)} 538 A
V_{R(RM)} 4000 ~ 5000V
t_{rr} 10 μs

Typical Applications

- Inverters and choppers
- AC. motor control
- Snubber and free-wheeling diodes

SYMBOL	CHARACTERISTIC	TEST CONDITIONS	T _J (°C)	VALUE			UNIT	
				Min	Type	Max		
I _{F(AV)}	Mean forward current	180° half sine wave 50Hz Double side cooled, T _C =85°C				538	A	
V _{R(RM)}	Repetitive peak reverse voltage	t _p =10ms	150	4000		5000	V	
I _{R(RM)}	Repetitive peak current	at V _{R(RM)}	150			50	mA	
I _{F(SM)}	Surge forward current	10ms half sine wave	150			7.5	kA	
I ² t	I ² t for fusing coordination	V _R =0.6V _{R(RM)}				281	A ² s*10 ³	
V _{FO}	Threshold voltage		150			1.89	V	
r _F	Forward slope resistance					1.18	mΩ	
V _{FM}	Peak forward voltage	I _{TM} =1000A, F=15kN	25			3.80	V	
I _m	Reverse recovery current		150			240	A	
t _{rr}	Reverse recovery time	I _{TM} =1000A, t _p =4000μs, di/dt=-60A/μs, V _R =100V					10	μs
Q _{rr}	Recovery charge						720	μC
R _{th(j-c)}	Thermal resistance Junction to case	D.C.: double side cooled Clamping force 15kN				0.035	°C/W	
R _{th(c-h)}	Thermal resistance case to heat sink					0.008		
F _m	Mounting force			10		20	kN	
T _{vj}	Junction temperature			-40		150	°C	
T _{stg}	Stored temperature			-40		160	°C	
W _t	Weight					250	g	
Outline	P39							

Outline:



Nlps reserves the right to change specifications without notice.