

Features

- Low forward voltage drop
- Soft recovery
- Hermetic metal cases with ceramic insulators

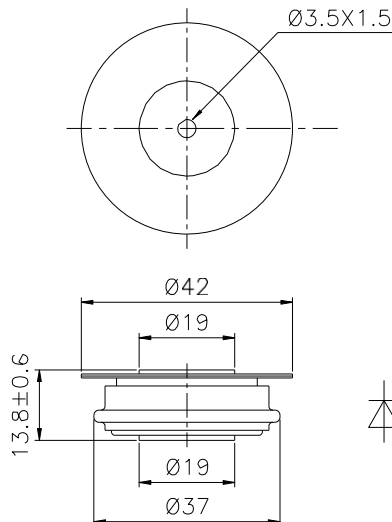
I_{F(AV)} 197 A
V_{RRM} 4000 ~ 5000V
trr 10 μs

Typical Applications

- Inverters and choppers
- AC. motor control
- Snubber and free-wheeling diodes

SYMBOL	CHARACTERISTIC	TEST CONDITIONS	T _J (°C)	VALUE			UNIT	
				Min	Type	Max		
I _{F(AV)}	Mean forward current	180° half sine wave 50Hz Double side cooled,	T _C =85°C	150		197	A	
V _{RRM}	Repetitive peak reverse voltage	tp=10ms	150	4000		5000	V	
I _{RRM}	Repetitive peak current	at V _{RRM}	150			25	mA	
I _{FSM}	Surge forward current	10ms half sine wave	150			2.7	kA	
I ² t	I ² T for fusing coordination	V _R =0.6V _{RRM}				36.5	A ² s*10 ³	
V _{FO}	Threshold voltage		150			1.95	V	
r _F	Forward slop resistance					4.50	mΩ	
V _{FM}	Peak forward voltage	I _{TM} =300A, F=5.0kN	25			3.80	V	
I _m	Reverse recovery current		150		40		A	
t _{rr}	Reverse recovery time	I _{TM} =1000A, tp=4000μs, di/dt=-60A/μs, V _R =100V				10		μs
Q _{rr}	Recovery charge				80	100		μC
R _{th(j-c)}	Thermal resistance Junction to case	D.C.: double side cooled Clamping force 5.0kN				0.080	°C/W	
R _{th(c-h)}	Thermal resistance case to heat sink					0.020		
F _m	Mounting force			3.3		5.5	kN	
T _{vj}	Junction temperature			-40		150	°C	
T _{stg}	Stored temperature			-40		160	°C	
W _t	Weight				60		g	
Outline	P32							

Outline:



Nlps reserves the right to change specifications without notice.