

Features

- Low forward voltage drop
- Soft recovery
- Hermetic metal cases with ceramic insulators

$I_{F(AV)}$ 1670A
 V_{RRM} 2100~3000V
 t_{rr} 10.0μs



Typical Applications

- Inverters and choppers
- Motor control
- Snubber and free-wheeling diodes

SYMBOL	CHARACTERISTIC	TEST CONDITIONS	$T_j(°C)$	VALUE			UNIT
				Min	Type	Max	
$I_{F(AV)}$	Mean forward current	180° half sine wave 50Hz Double side cooled, $T_C=70°C$	125			1670	A
V_{RRM}	Repetitive peak reverse voltage	$t_p=10ms$	125	2100		3000	V
I_{RRM}	Repetitive peak current	at V_{RRM}	125			180	mA
I_{FSM}	Surge forward current	10ms half sine wave	125			25	kA
I^2t	I^2t for fusing coordination	$V_R=0.6V_{RRM}$				3125	A^2s*10^3
V_{FO}	Threshold voltage		125			1.55	V
r_F	Forward slope resistance					0.29	mΩ
V_{FM}	Peak forward voltage	$I_{FM}=3000A, F=35kN$	125			2.42	V
I_{rm}	Reverse recovery current	$I_{FM}=2000A, t_p=2000μs,$ $-di/dt=60A/μs,$ $V_R=50V$	125		260		A
t_{rr}	Reverse recovery time				10		μs
Q_{rr}	Recovery charge				1300		μC
$R_{th(j-c)}$	Thermal resistance Junction to case	DC double side cooled Clamping force 35kN				0.012	°C/W
$R_{th(c-h)}$	Thermal resistance case to heat sink					0.003	
F_m	Mounting force			30		40	kN
T_{stg}	Stored temperature			-40		160	°C
W_t	Weight				820		g
Outline	P44						

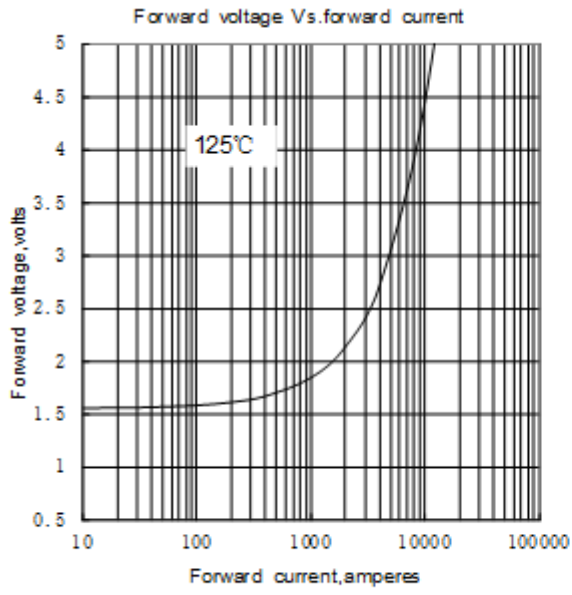


Fig.1

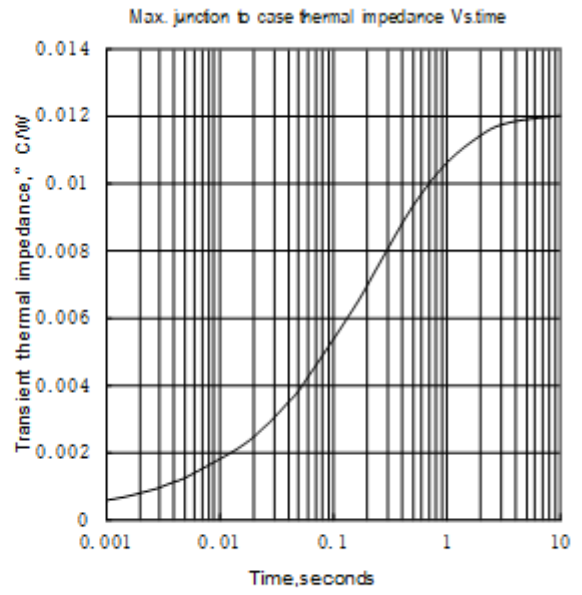


Fig.2

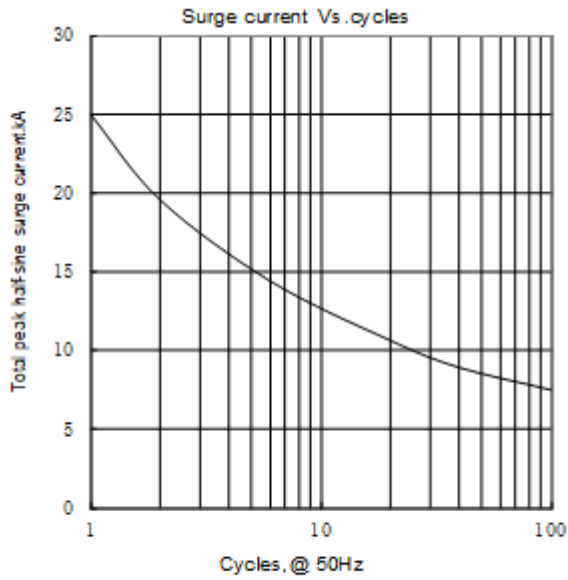
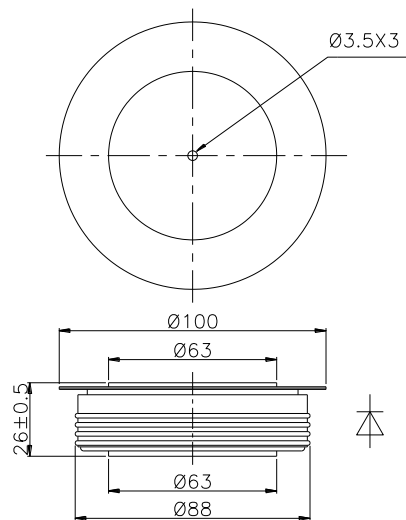


Fig.3



Nlps reserves the right to change specifications without notice.