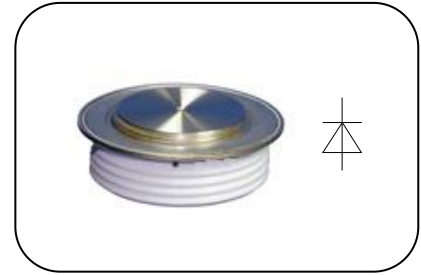


**Features**

- Low forward voltage drop
- Soft recovery
- Hermetic metal cases with ceramic insulators

$I_{F(AV)}$       **1340A**  
 $V_{RRM}$         **2100~3000V**  
 $t_{rr}$             **8.0 $\mu$ s**

**Typical Applications**

- Inverters and choppers
- Motor control
- Snubber and free-wheeling diodes

SYMBOL	CHARACTERISTIC	TEST CONDITIONS		T <sub>J</sub> (°C)	VALUE			UNIT
					Min	Type	Max	
$I_{F(AV)}$	Mean forward current	180° half sine wave 50Hz Double side cooled,	T <sub>C</sub> =70°C	125			1340	A
$V_{RRM}$	Repetitive peak reverse voltage	tp=10ms		125	2100		3000	V
$I_{RRM}$	Repetitive peak current	at $V_{RRM}$		125			100	mA
$I_{FSM}$	Surge forward current	10ms half sine wave		125			20	kA
$I^2t$	I <sup>2</sup> t for fusing coordination	$V_R=0.6V_{RRM}$					2000	A <sup>2</sup> s*10 <sup>3</sup>
$V_{FO}$	Threshold voltage			125			1.58	V
$r_F$	Forward slope resistance						0.30	mΩ
$V_{FM}$	Peak forward voltage	$I_{FM}=2000A, F=28kN$		125			2.18	V
$I_{rm}$	Reverse recovery current			125		200		A
$t_{rr}$	Reverse recovery time	$I_{FM}=1000A, tp=2000\mu s,$ $-di/dt=60A/\mu s, V_R=50V$				8		$\mu$ s
$Q_{rr}$	Recovery charge					800		$\mu$ C
$R_{th(j-c)}$	Thermal resistance Junction to case	DC· double side cooled					0.016	°C /W
$R_{th(c-h)}$	Thermal resistance case to heat sink	Clamping force 28kN					0.004	
$F_m$	Mounting force				21		30	kN
$T_{stg}$	Stored temperature				-40		160	°C
$W_t$	Weight					640		g
Outline	P43							

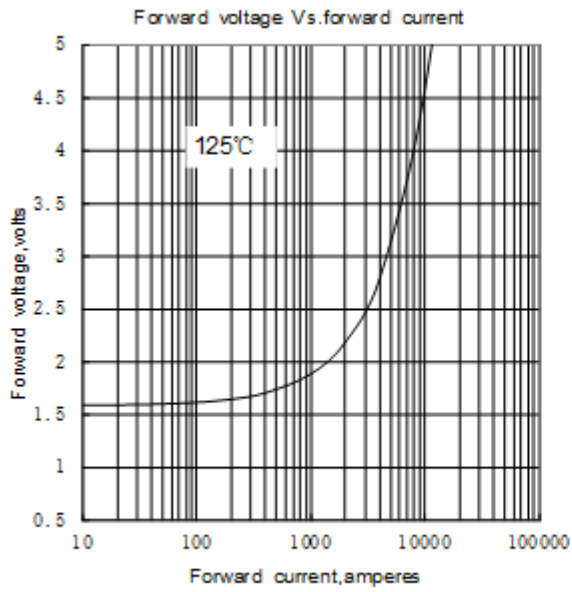


Fig.1

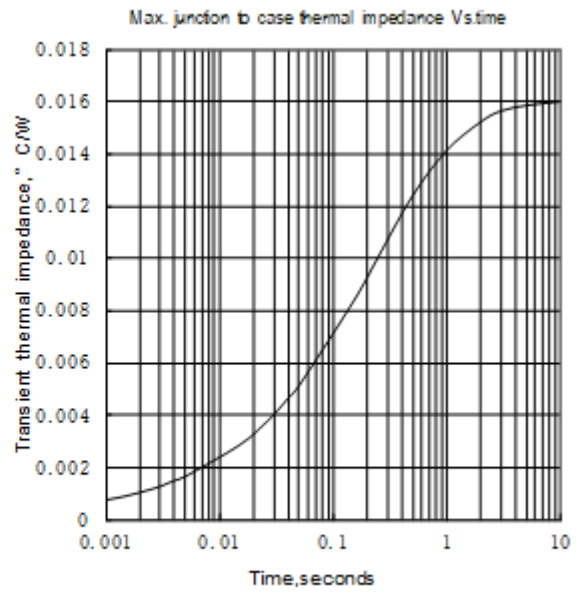


Fig.2

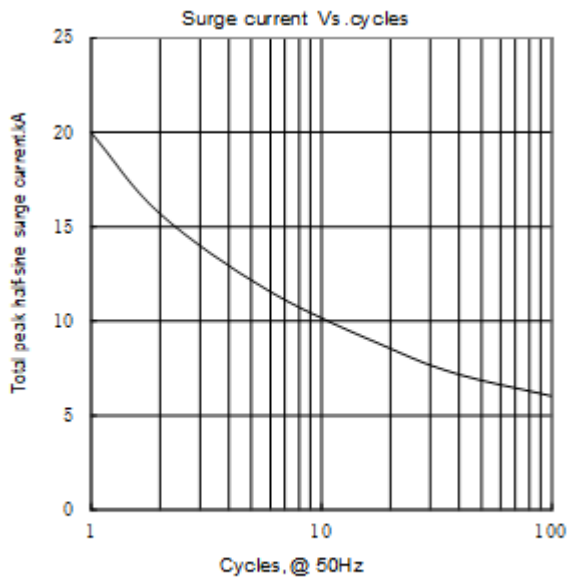
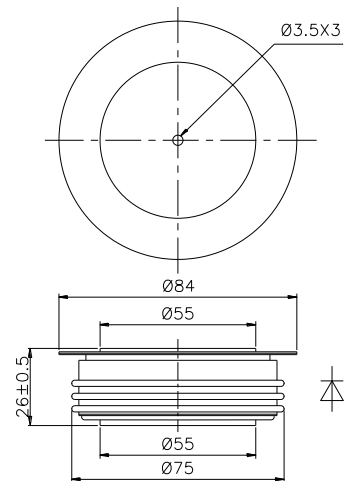


Fig.3



Nlps reserves the right to change specifications without notice.