

Features

- Low forward voltage drop
- Soft recovery
- Hermetic metal cases with ceramic insulators

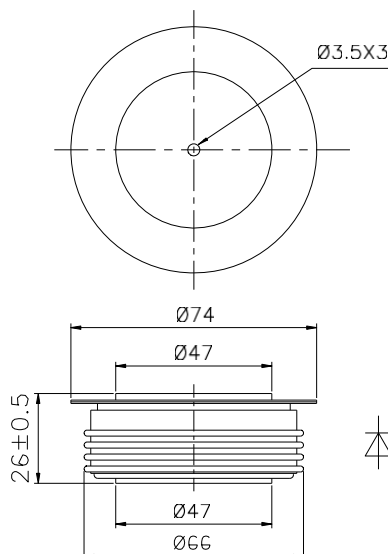
I_{F(AV)} 1208 A
V_{RRM} 2100 ~ 3000V
trr 7.0 μs

Typical Applications

- Inverters and choppers
- Motor control
- Snubber and free-wheeling diodes

SYMBOL	CHARACTERISTIC	TEST CONDITIONS		T _j (°C)	VALUE			UNIT
					Min	Type	Max	
I _{F(AV)}	Mean forward current	180° half sine wave 50Hz Double side cooled,	T _C =85°C	150			1208	A
V _{RRM}	Repetitive peak reverse voltage	tp=10ms		150	2100		3000	V
I _{RRM}	Repetitive peak current	at V _{RRM}		150			100	mA
I _{FSM}	Surge forward current	10ms half sine wave		150			16	kA
I ² t	I ² t for fusing coordination	V _R =0.6V _{RRM}						1280
V _{FO}	Threshold voltage			150			1.62	V
r _F	Forward slope resistance							0.36
V _{FM}	Peak forward voltage	I _{TM} =1500A, F=24kN		25			2.80	V
I _m	Reverse recovery current	I _{TM} =1000A, tp=4000μs, di/dt=-60A/μs, V _R =100V		150			166	A
t _{rr}	Reverse recovery time						7	μs
Q _{rr}	Recovery charge						500	650
R _{th(j-c)}	Thermal resistance Junction to case	D.C. double side cooled Clamping force 24kN					0.020	°C /W
R _{th(c-h)}	Thermal resistance case to heat sink						0.005	
F _m	Mounting force				19		26	kN
T _{vj}	Junction temperature				-40		150	°C
T _{stg}	Stored temperature				-40		160	°C
W _t	Weight						440	g
Outline	P42							

Outline:



Nlps reserves the right to change specifications without notice.