

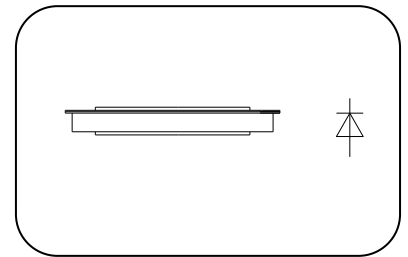
Features

- Optimized for high current rectifiers
- Very low threshold voltage and slop resistance
- Very low thermal resistance

Typical Applications

- High current application For Welders up to 10000Hz
- Electrode plating

$I_{F(AV)}$ 10000 A
 V_{RRM} 200~400 V
 I_{FSM} 70 kA
 I^2t 23000 10³A²S



SYMBOL	CHARACTERISTIC	TEST CONDITIONS	T _j (°C)	VALUE			UNIT
				Min	Type	Max	
$I_{F(AV)}$	Mean forward current	180° half sine wave 50Hz Double side cooled, T _C =100°C	175			10000	A
V_{RRM}	Repetitive peak reverse voltage	t _p =10ms	175	200		400	V
I_{RRM}	Repetitive peak current	at V_{RRM}	175			50	mA
I_{FSM}	Surge forward current	10ms half sine wave	175			70	kA
I^2t	I^2t for fusing coordination	$V_R=0V_{RRM}$				23000	10 ³ A ² s
V_{FO}	Threshold voltage	$I_{FM}=10000-30000A$	175			0.81	V
r_F	Forward slope resistance					0.028	mΩ
V_{FM}	Max Peak on-state voltage	$I_{FM}=6000A, F=50kN$	25			1.05	V
I_{rr}	Recovery current	$I_{FM}=1000A, t_p=2000\mu s, di/dt=-20A/\mu s, V_R=50V$	175			40	A
t_{rr}	Recovery time					3.0	μs
Q_{rr}	Recovery charge					100	μC
$R_{th(j-c)}$	Thermal resistance Junction to case	DC double side cooled Clamping force 50.0kN				0.006	°C /W
$R_{th(c-h)}$	Thermal resistance case to heat sink				0.003		
F_m	Mounting force			35	50	65	kN
T_{stg}	Stored temperature			-40		175	°C
W_t	Weight				220		g
Outline	P59						

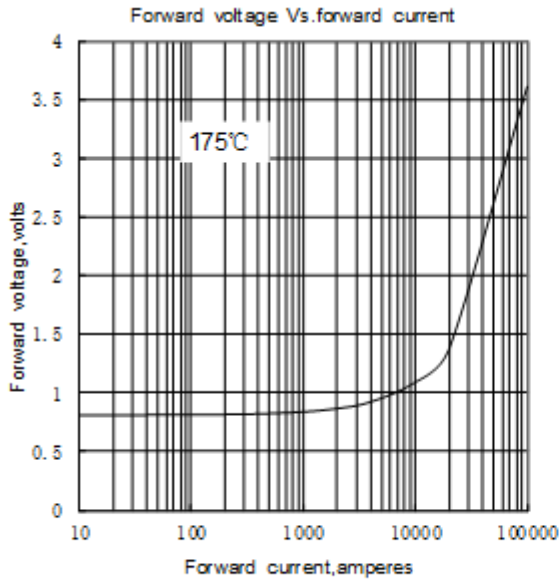


Fig.1

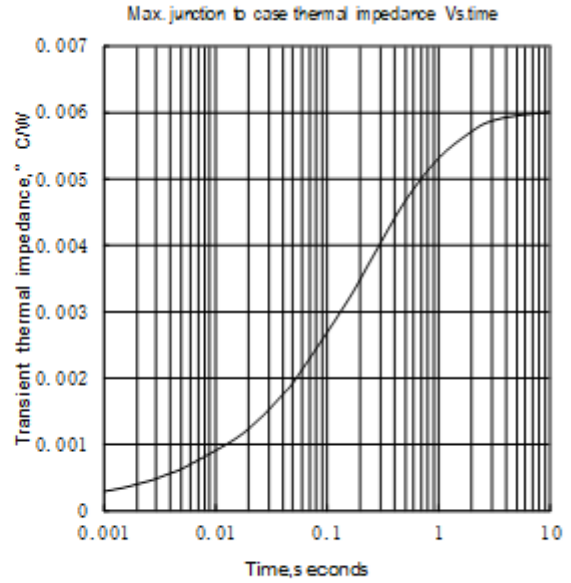


Fig.2

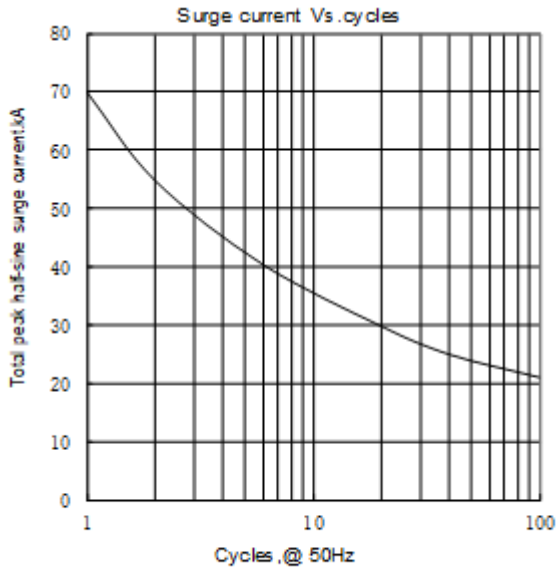
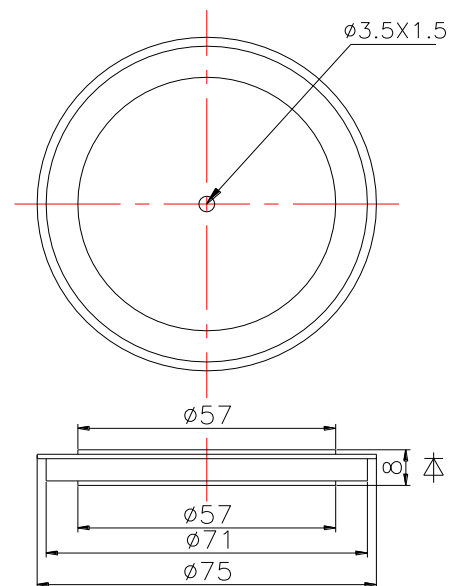


Fig.3



Nlps reserves the right to change specifications without notice.