

Features :

- Isolated mounting base 2500V~
- Pressure contact technology with increased power cycling capability
- Space and weight saving

Typical Applications :

- Inverter
- Inductive heating
- Chopper

V _{DSM} ,V _{VRSM}	V _{DRM} ,V _{RRM}	品名
700V	600V	Mx75TF60
900V	800V	Mx75TF80
1100V	1000V	Mx75TF100
1300V	1200V	Mx75TF120
1500V	1400V	Mx75TF140
1700V	1600V	Mx75TF160
1900V	1800V	Mx75TF180

SYMBOL	CHARACTERISTIC	TEST CONDITIONS	T _j (°C)	VALUE			UNIT
				Min	Type	Max	
I _{T(AV)}	Mean on-state current	180° half sine wave 50Hz Single side cooled, T _c =85°C	125			75	A
I _{T(RMS)}	RMS on-state current					118	A
I _{DRM} I _{RRM}	Repetitive peak current	at V _{DRM} at V _{RRM}	125			30	mA
I _{TSM}	Surge on-state current	10ms half sine wave V _R =60%V _{RRM}	125			1.6	kA
I ² t	I ² t for fusing coordination					13	10 ³ A ² s
V _{TO}	Threshold voltage		125			1.50	V
r _T	On-state slope resistance					4.00	mΩ
V _{TM}	Peak on-state voltage	I _{TM} =225A	25			2.53	V
dv/dt	Critical rate of rise of off-state voltage	V _{DM} =67%V _{DRM}	125			800	V/μs
di/dt	Critical rate of rise of on-state current	Gate source 1.5A t _r ≤0.5μs Repetitive	125			200	A/μs
t _q	Circuit commutated turn-off time	I _{TM} =200A, t _p =4000μs, V _R =100V dv/dt=30V/μs , di/dt=-20A/μs	125	20		40	μs
			25	6		16	μs
I _{GT}	Gate trigger current	V _A =12V, I _A =1A	25			30	mA
V _{GT}	Gate trigger voltage					0.8	V
I _H	Holding current					20	mA
I _L	Latching current						1000
V _{GD}	Non-trigger gate voltage	V _{DM} = 67%V _{DRM}	125			0.2	V
R _{th(j-c)}	Thermal resistance Junction to case	D.C. Single side cooled per chip				0.20	°C /W
R _{th(c-h)}	Thermal resistance case to heatsink	D.C. Single side cooled per chip				0.04	°C /W
V _{iso}	Isolation voltage	50Hz,R.M.S,t=1min,I _{iso} :1mA(MAX)		2500			V
F _m	Terminal connection torque(M6)			4.5		6.0	N·m
	Mounting torque(M6)			4.5		6.0	N·m
T _{vj}	Junction temperature			-40		125	°C
T _{stg}	Stored temperature			-40		125	°C
W _t	Weight				320		g
Outline	M02b						

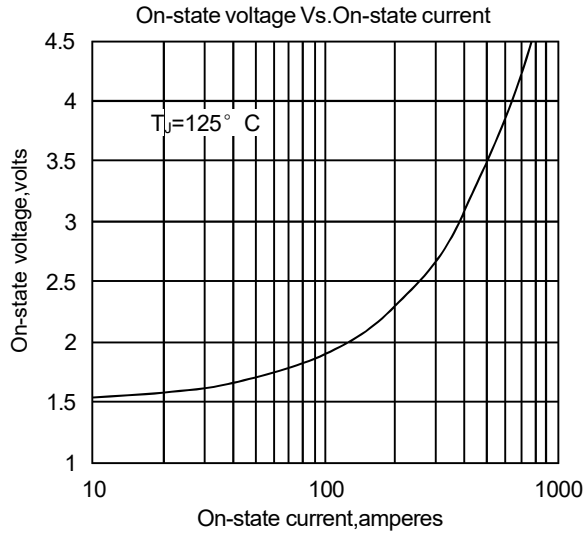


Fig. 1

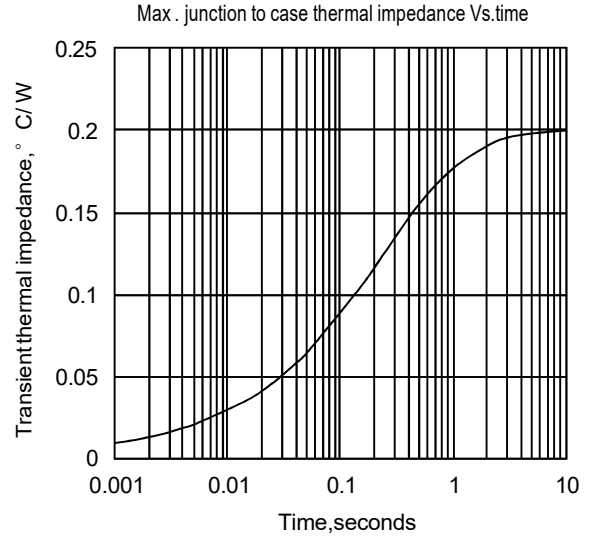


Fig. 2

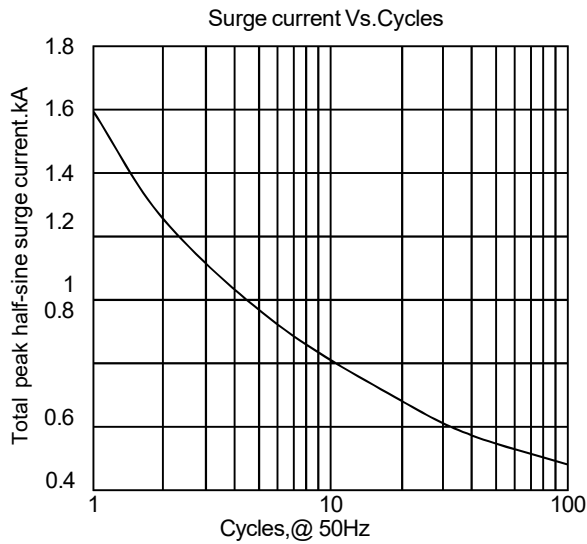


Fig. 3

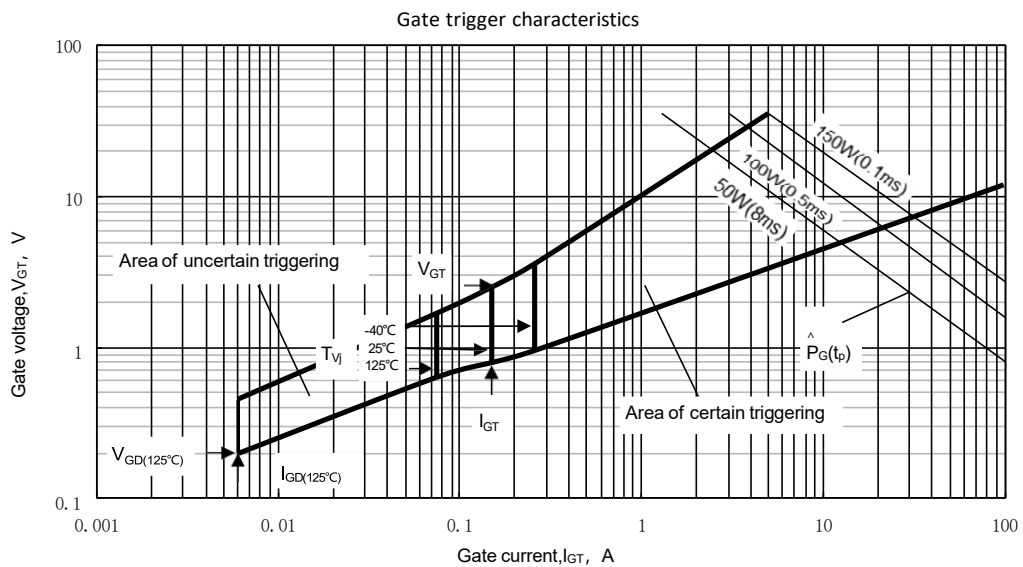
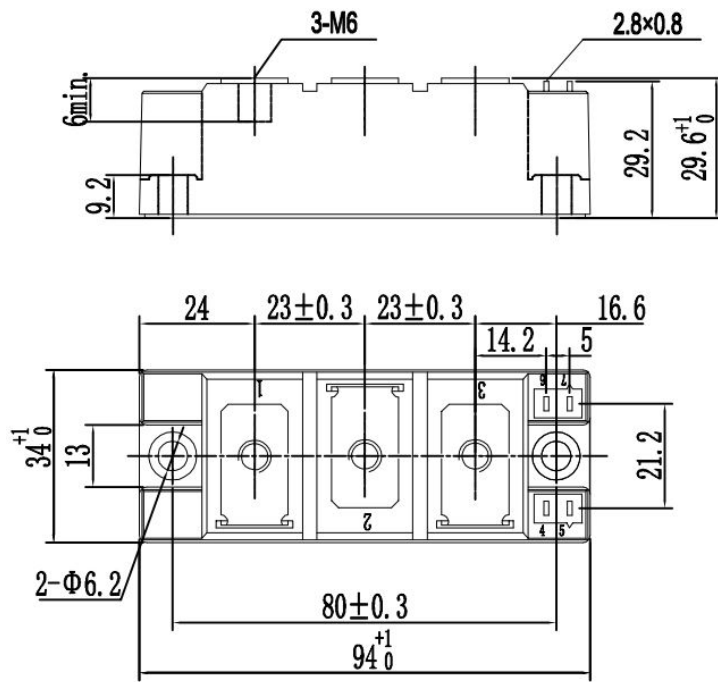


Fig. 4

Outline:



Unmarked dimensional tolerance: ±0.5mm

