

Features :

- Isolated mounting base 2500V~
- Pressure contact technology with Increased power cycling capability
- Space and weight saving

Typical Applications

- Inverter
- Inductive heating
- Chopper

V_{DSM}, V_{RSM}	V_{DRM}, V_{RRM}	品名
2100V	2000V	Mx70TF200
2300V	2200V	Mx70TF220
2600V	2500V	Mx70TF250

SYMBOL	CHARACTERISTIC	TEST CONDITIONS	$T_j(^{\circ}\text{C})$	VALUE			UNIT
				Min.	Typ.	Max.	
$I_{T(AV)}$	Mean on-state current	180° half sine wave 50Hz Single side cooled, $T_c=85^{\circ}\text{C}$	125			70	A
$I_{T(RMS)}$	RMS on-state current					110	A
I_{DRM} I_{RRM}	Repetitive peak current	at V_{DRM} at V_{RRM}	125			30	mA
I_{TSM}	Surge on-state current	10ms half sine wave	125			1.40	kA
I^2t	I^2t for fusing coordination	$V_R=60\%V_{RRM}$				9.80	$\text{A}^2\text{s}\cdot 10^3$
V_{TO}	Threshold voltage		125			1.50	V
r_T	On-state slope resistance					4.90	$\text{m}\Omega$
V_{TM}	Peak on-state voltage	$I_{TM}=300\text{A}$	25			3.20	V
dv/dt	Critical rate of rise of off-state voltage	$V_{DM}=67\%V_{DRM}$	125			800	$\text{V}/\mu\text{s}$
di/dt	Critical rate of rise of on-state current	Gate source 1.5A $t_r \leq 0.5\mu\text{s}$ Repetitive	125			200	$\text{A}/\mu\text{s}$
tq	Circuit commutated turn-off time	$I_{TM}=200\text{A}, t_p=2000\mu\text{s}, V_R=50\text{V}$ $dv/dt=30\text{V}/\mu\text{s}, di/dt=-20\text{A}/\mu\text{s}$	125	20		40	μs
t_{rr}	Reverse recovery time	$I_{TM}=200\text{A}, t_p=2000\mu\text{s},$ $-di/dt=20\text{A}/\mu\text{s}, V_R=50\text{V}$	125		2		μs
I_{GT}	Gate trigger current	$V_A=12\text{V}, I_A=1\text{A}$	25	30		180	mA
V_{GT}	Gate trigger voltage			1.0		3.0	V
I_H	Holding current			20		200	mA
V_{GD}	Non-trigger gate voltage	$V_{DM}=67\%V_{DRM}$	125	0.2			V
$R_{th(j-c)}$	Thermal resistance Junction to case	D.C. Single side cooled per chip				0.230	$^{\circ}\text{C}/\text{W}$
$R_{th(c-h)}$	Thermal resistance case to heatsink	D.C. Single side cooled per chip				0.040	$^{\circ}\text{C}/\text{W}$
V_{iso}	Isolation voltage	50Hz, R.M.S, $t=1\text{min}, I_{iso}:1\text{mA}(\text{MAX})$		3000			V
F_m	Terminal connection torque(M6)			3.5		5.0	N·m
	Mounting torque(M6)				6.0		N·m
T_{vj}	Junction temperature			-40		125	$^{\circ}\text{C}$
T_{stg}	Stored temperature			-40		125	$^{\circ}\text{C}$
W_t	Weight				320		g
Outline	M02						

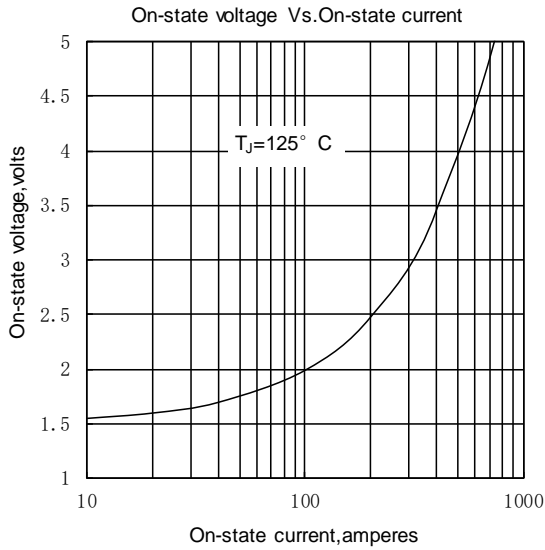


Fig.1

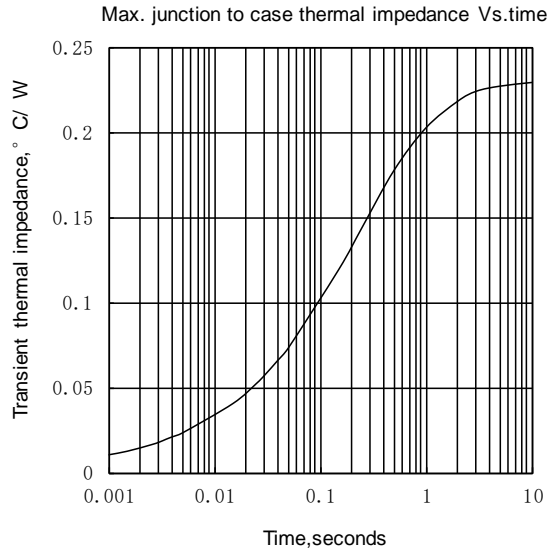


Fig.2

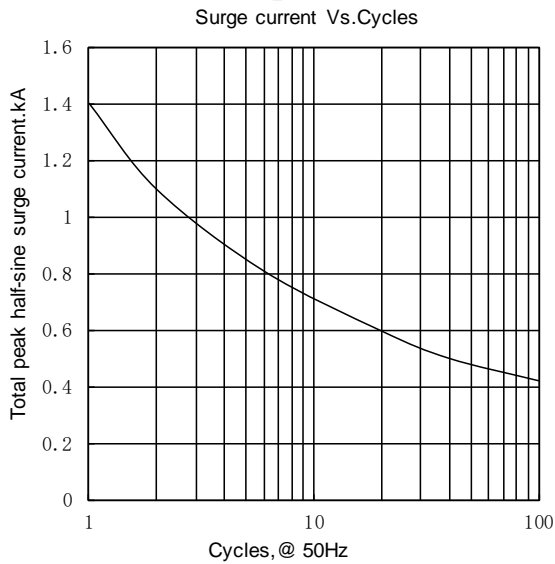


Fig.3

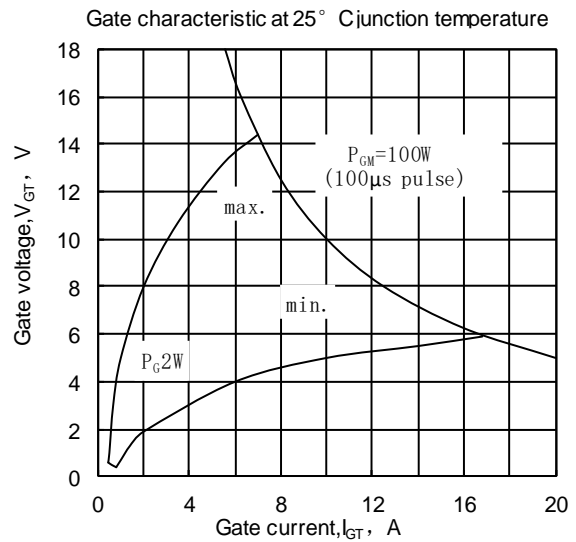


Fig.4

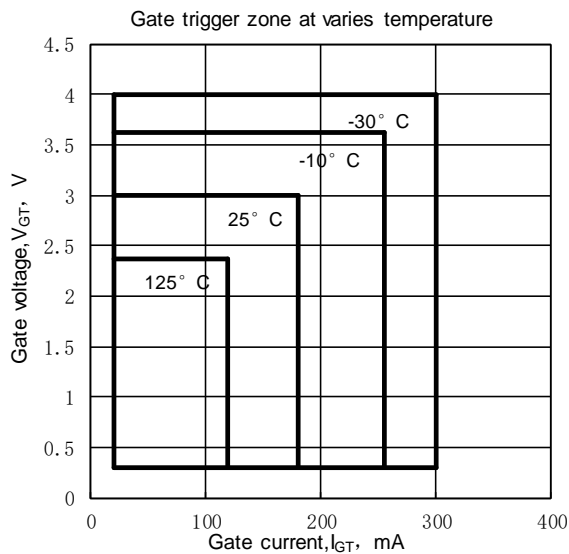
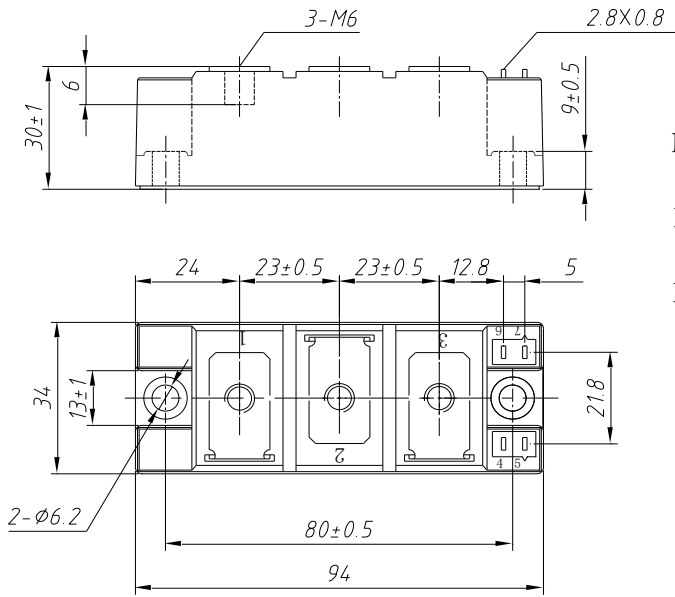


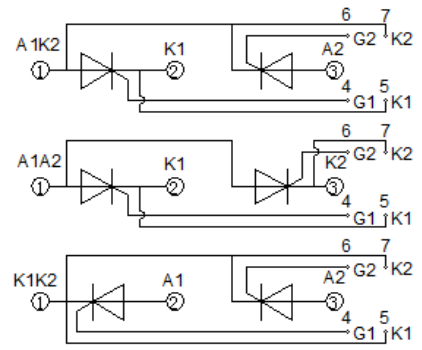
Fig.5



MD70TF**

MR70TF**

MC70TF**



Unmarked dimensional tolerance : ±0.5mm

Nlps reserves the right to change specifications without notice.